



ARC Cabinetry®

CRAFTING QUALITY, CREATING COMFORT

www.arc-cabinetry.com

TABLE OF Contents

04. About Us

- 07. Nationwide Footprint
- 08. Corporate Mission
- 10. Meet Our Team
- 11. Our Process

14. Our Door Styles

- 14. Modern Collection
- 15. Exclusive Collection

28. Social Responsibility

29. Our Presence



About Us

Welcome to ARC Cabinetry, a leading distributor of premium cabinetry since 2018 with multiple locations across the United States.

As a nationwide cabinet distributor, ARC Cabinetry brings luxury and functionality to homes and businesses from coast to coast. With our headquarters centrally located in the vibrant city of Houston, Texas, and several other strategic locations throughout the country, we are uniquely positioned to serve customers with excellence and efficiency.

Our commitment to customer satisfaction is at the forefront of everything we do. From the moment you walk through our doors, our team of experts is dedicated to providing personalized service, expert guidance, and seamless support at every step of the process.

ARC Cabinetry is a part of Veneziano Surface Solutions, a multinational corporation with offices globally founded in 2004. Veneziano Surface Solutions has been at the forefront of providing construction materials to builders, contractors, and remodelers.





Nationwide Footprint

With multiple distribution centers and design centers located nationwide we can fulfill our customer's orders in a timely and efficient manner. At ARC Cabinetry, we are committed to adopting cutting-edge technology and using the finest quality raw materials to further our product quality and ensure overall customer satisfaction. By evolving and expanding our product lines, we are constantly adapting to the changing tastes of our customers.

We offer delivery options throughout the continental United States and Mexico as well as pick up and will call ordering from our established ARC Cabinetry dealers and distribution centers.



Corporate Mission

At ARC Cabinetry, Our mission is to revolutionize home spaces with innovative modular cabinetry solutions that blend functionality, aesthetics, and sustainability seamlessly. We are committed to empowering our customers to realize their dream kitchens by offering unparalleled quality, spectacular designs, and exceptional customer service. Through constant innovation, integrity in our practices, and a dedication to environmental responsibility, we aim to exceed expectations and become the trusted partner in transforming homes into inspiring living spaces



Crafting Spaces,
Inspiring Lives

Meet Our Team

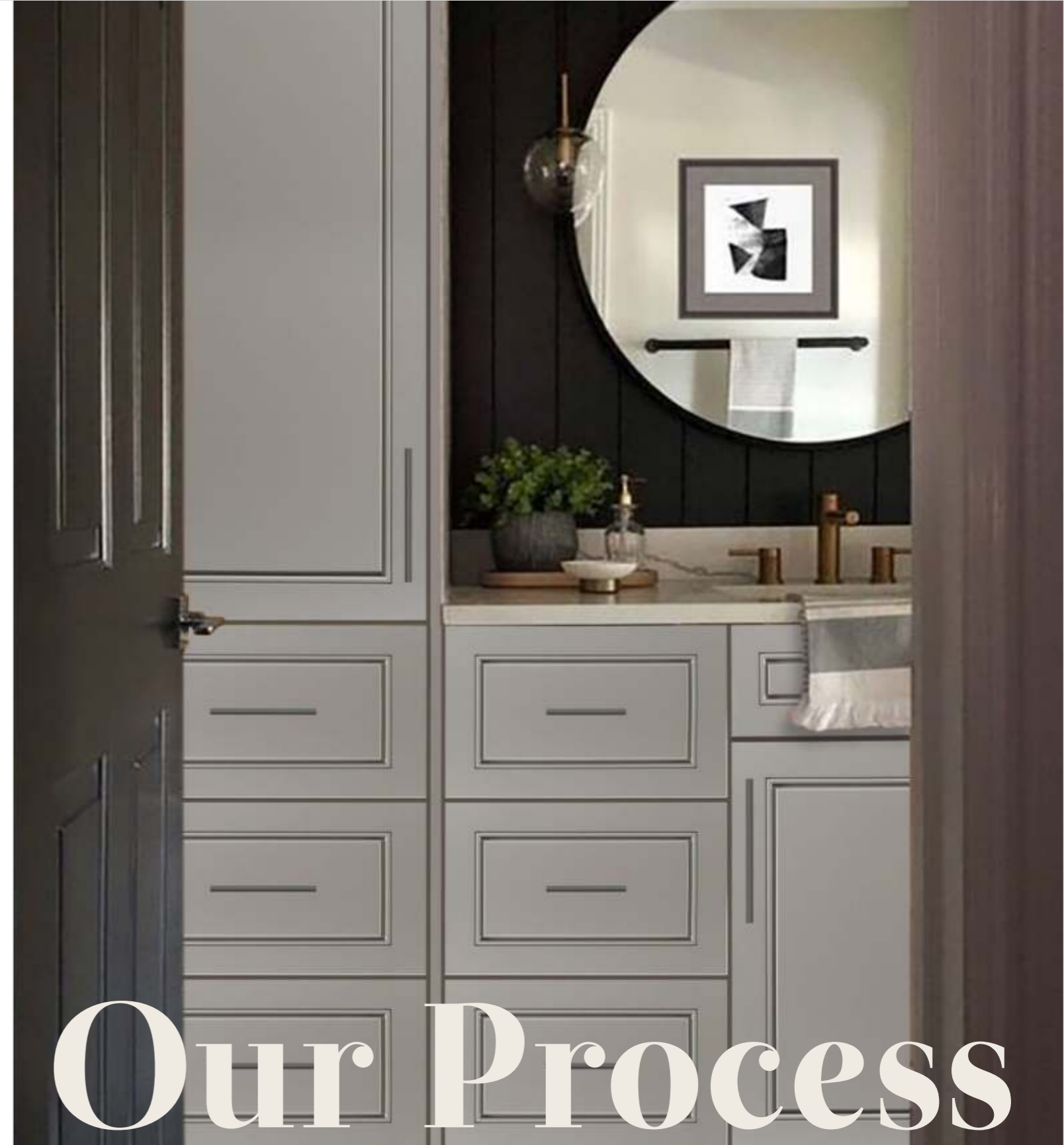
At ARC Cabinetry we believe that the heart of our success lies in the exceptional individuals who make up our team. With a diverse blend of expertise, dedication, and passion, we're proud to introduce you to the driving force behind our company

Experienced Industrial Engineers - Our team of seasoned industrial engineers brings a wealth of knowledge and expertise to the table. With years of experience in designing and optimizing manufacturing processes, they ensure that every aspect of our production is efficient, precise, and of the highest quality. Their innovative mindset and strategic approach are instrumental in continuously improving our products and operations.

Passionate Workforce - Behind every meticulously crafted cabinet and meticulously executed project stands our hardworking workforce. Comprising skilled craftsmen, technicians, and artisans, they are the backbone of our production process. Their unwavering dedication, attention to detail, and commitment to excellence ensure that each piece of cabinetry meets our rigorous standards and exceeds customer expectations.

Logistics Reliability - Ensuring smooth operations from production to delivery is our logistics officer. With a keen eye for detail and exceptional organizational skills, they orchestrate the intricate dance of supply chain management. From coordinating shipments to optimizing routes, they guarantee timely delivery and seamless logistics, allowing us to fulfill orders efficiently and reliably.

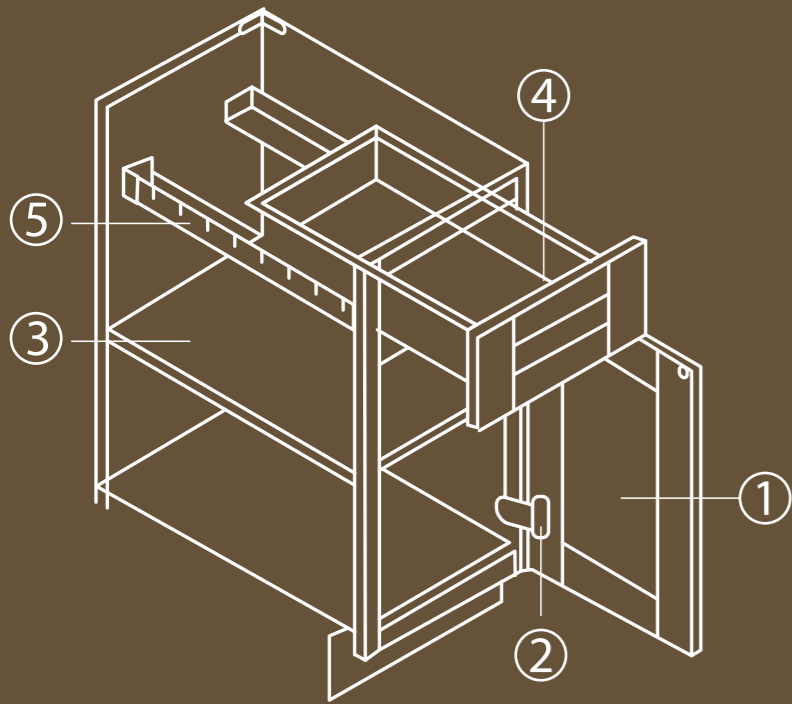
Quality Specialist - Quality is not just a goal; it's a commitment we uphold at every step of the way. Our team of quality control specialists is tasked with maintaining the impeccable standard of craftsmanship and performance that defines our brand. Through rigorous inspection protocols and meticulous attention to detail, they ensure that every cabinet that leaves our facility is flawless, durable, and built to last a lifetime.



Our Process

ARC Cabinetry offers Ready-To-Assemble (RTA) options and semi customization capabilities tailored to our customers' specific requirements. Our cabinets undergo meticulous production procedures within a cutting-edge factory environment, adhering to rigorous quality control measures and oversight. Utilizing precision machinery combined with hand-craftsmanship, each cabinet is meticulously finished to exacting standards.

Our Cabinet Design

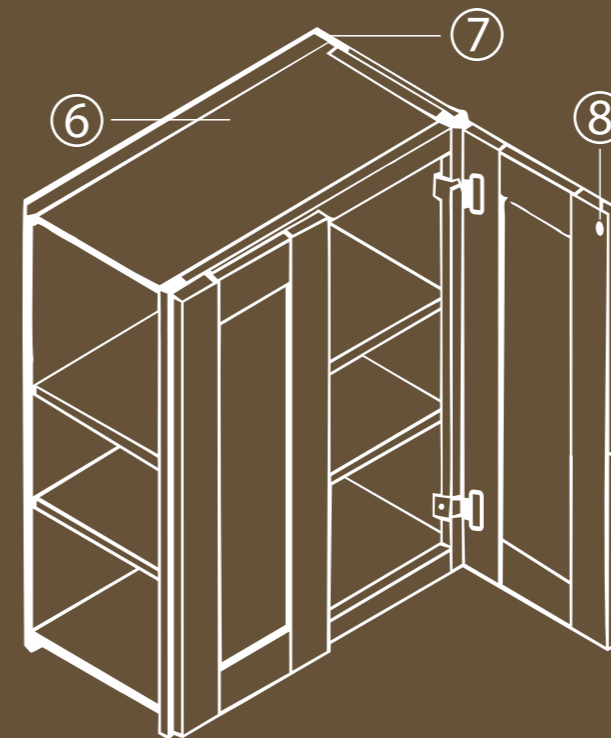


1. Door Panel: 3/4"-thick solid wood; full overlay door. No MDF or particle board.

2. Door Hinge: 6-way adjustable; soft-close metal; hidden Euro-style.

3. Adjustable Shelf: 3/4"-thick cabinet-grade plywood; clear coat finish on all sides; front edge banded; metal shelf rests.

4. Drawer: 1/2"-thick solid wood on all sides; full extension pull-out; dovetail construction.



5. Drawer Glide: full extension pull-out; soft-close; metal construction; concealed under-mount.

6. Plywood Box: 5/8"-thick cabinet-grade plywood; clear coat finish on interior sides; matching color finish on exterior sides.

7. Metal Bracket: corner bracket reinforcements inbase and wall cabinets for maximum stability.

8. Door Bumper: promote quiet-closing and reduce slamming for maximum durability.

All of our cabinets are constructed with 100% solid wood doors and frames.

5/8" thick plywood boxes, soft close metal hinges, under-mounted full extension soft-close metal glides.

Building Dreams, One Cabinet at a Time.

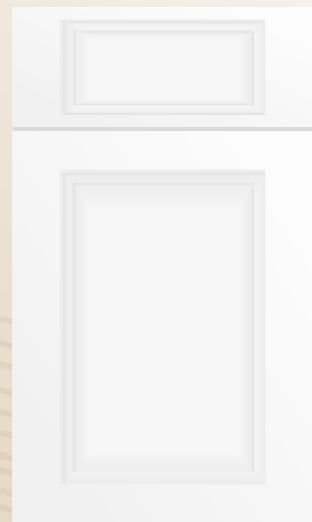
Our Door Styles

Modern Collection

Sleek lines, minimalist designs with open shelving concepts, modern cabinets offer versatility and adaptability to suit various interior styles, making them a popular choice for modern kitchens and living spaces seeking a clean and sophisticated aesthetic.

Exclusive Collection

Cabinet that epitomizes elegance, sophistication, and enduring style, these cabinets exude luxury and exclusivity. They are cherished heirlooms that add timeless elegance to any space.



Nordic White (NW)



Scottish Grey (SG)



Kona Espresso (KE)



Zurich White (ZW)




Tuscan Pearl (TP)



Fuji Light (FL)

Nordic White

- Clean and vibrant white painted finish.
- Unique double shaker styling.
- Full overlay solid wood construction.

- 
- Contemporary and sleek grey painted finish
 - Unique recessed raised panel styling
 - Full overlay and mitered solid wood construction

Scottish Grey

Kona Espresso

- Deep espresso stained finish
- Unique recessed raised panel styling
- Full overlay and mitered solid wood construction

Zurich White

- Crisp white painted finish
- Unique recessed raised panel styling
- Full overlay and mitered solid wood construction

- Graceful and transitional hand applied glaze finish
- Unique recessed panel styling
- Full overlay and mitered solid wood construction

Tuscan Pearl

- Sleek and minimalist inspired stain
- Unique double shaker styling
- Full overlay and mitered solid wood construction

Fuji Light

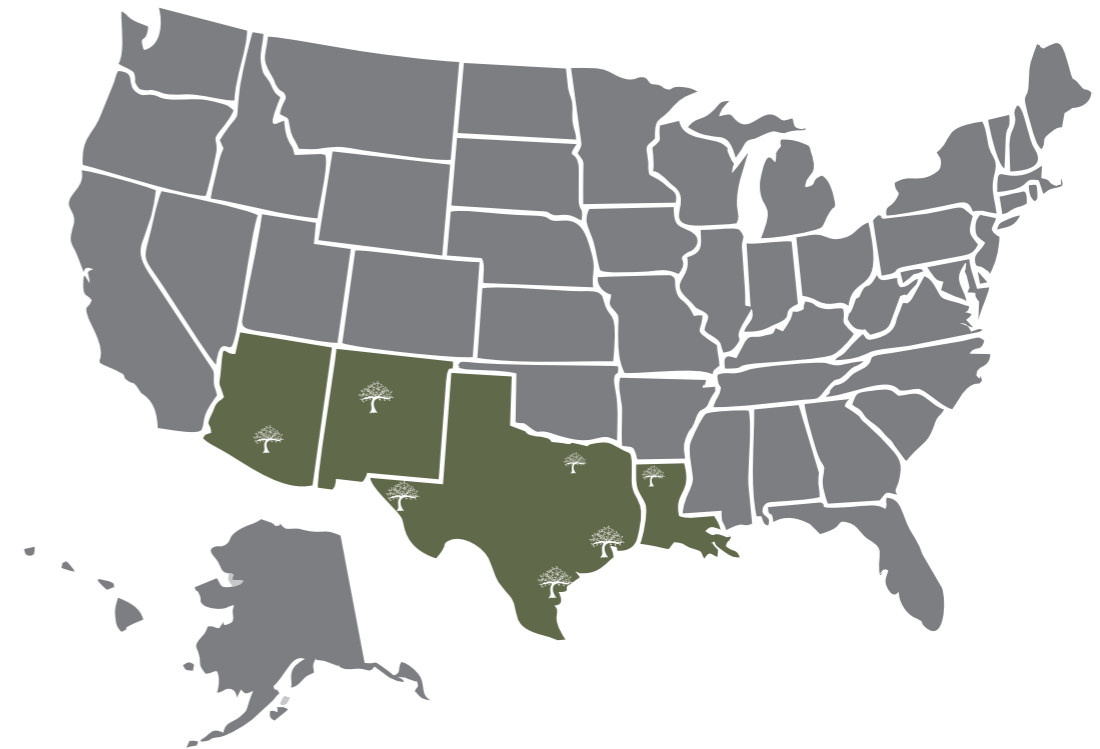
Our Social Responsibility

At ARC Cabinetry, we prioritize the preservation of a sustainable environment for future generations.

Our steadfast commitment to eco-conscious manufacturing ensures that all our products are crafted with environmentally friendly and health-conscious materials. Compliant with EPA TSCA Title VI standards for Formaldehyde, we uphold rigorous environmental regulations.



Our Presence



Houston, TX

10410 Hempstead Rd. TX 77092
Tel: 713-680 9191

Dallas, TX

1130 N Riverfront Blvd. Dallas, TX 75207
Tel: 214-272 8224

Corpus Christi, TX

5625 Greenwood Dr. Corpus Christi TX 78417
Tel: 361-434 0061

Shreveport, LA

1618 Marshall St. Shreveport, LA 71101
Tel: 318-200 0710

El Paso, TX

7813 N Loop Dr. El Paso, TX 79915
Tel: 915-591 0919

Albuquerque, NM

4214 B Hawkins St. Albuquerque, NM 87109
Tel: 505-633 4203

Houston, TX

4909 Dacoma St. Houston, TX 77092
Tel: 713-680 9191

Tucson, AZ

500 W Grant Rd. Tucson, AZ 85705
Tel: 520-333 6002



At ARC Cabinetry, we're here to solve your surface solutions. As you browse through our brochure, we hope it ignites your creativity. For those seeking additional kitchen and cabinet inspiration, explore our social media platforms. Discover the hottest trends, inspiring designs, and the latest tips and tricks. Together, let's turn your dream cabinet into a reality!

The background of the page is filled with stylized wood grain patterns in a light brown color. There are two main areas: a large, curved section on the left side and a larger, more complex section on the top right that includes a prominent circular knot-like pattern.

www.arc-cabinetry.com



CRAFTING QUALITY, CREATING COMFORT