



design guide

Door Styles & Finishes

Colors Options



Kona Espresso

- Classic and transitional with mitered construction.
- Full overlay styling.
- All solid wood with deep espresso stained finish.



Nordic White

- Clean lines and contemporary.
- Full overlay styling.
- All solid wood construction.



Tuscan Pearl

- Graceful and transitional with mitered construction.
- Full overlay styling.
- All solid wood with hand applied glaze finish.



Scottish Grey

- Modern and transitional with mitered construction.
- Full overlay styling.
- All solid wood construction.



Scottish Grey



Scottish Grey



Tuscan Pearl



Tuscan Pearl



Nordic White



Nordic White

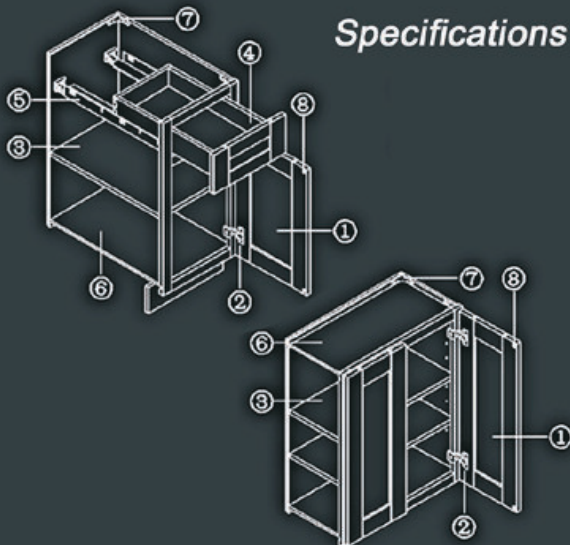
ARC Cabinetry

Kona Espresso



Kona Espresso





Specifications

1. Door Panel: 3/4"-thick solid wood; full overlay door. No MDF or particle board.
2. Door Hinge: 6-way adjustable; soft-close metal; hidden Euro-style.
3. Adjustable Shelf: 3/4"-thick cabinet-grade plywood; clear coat finish on all sides; front edge banded; metal shelf rests.
4. Drawer: 1/2"-thick solid wood on all sides; full extension pull-out; dovetail construction.
5. Drawer Glide: full extension pull-out; soft-close; metal construction; concealed under-mount.
6. Plywood Box: 5/8"-thick cabinet-grade plywood; clear coat finish on interior sides; matching color finish on exterior sides.
7. Metal Bracket: corner bracket reinforcements in base and wall cabinets for maximum stability.
8. Door Bumper: promote quiet-closing and reduce slamming for maximum durability.

Our Quality Commitment

By selecting the best raw materials, ensuring consistent quality and uniformity of appearance, we are committed to provide you with cabinetry that is impressive on the inside as well as the outside. To be sure quality is applied throughout the entire construction, we have considered every detail that makes a solid and reliable cabinet.

All of our cabinets are constructed with 100% solid wood doors and frames, 5/8" thick plywood boxes, soft close metal hinges, under-mounted full extension soft-close metal glides, and more.

All ARC Cabinets are Ready-To-Assemble (RTA) and semi-customizable to meet our customers' demands. Our cabinets are produced under strict quality control and supervision in state-of-the-art factory using precision machinery and finished with detailed hand-crafting.





Houston Location

Corporate Office & Design Center:

10410 Hempstead Road, Houston, Texas 77092

Distribution Center: 4909 Dacoma St, Houston, Texas 77092

Tel: 713-680 9191

Email: sales@arc-cabinetry.com

Web: www.arc-cabinetry.com

Corpus Christi Location

4440 South Padre Island Dr., Corpus Christi, Texas 78411

Tel: 361-434 0061

El Paso Location

7813 N Loop Dr., El Paso, Texas 79915

Tel: 915-591 0919

Shreveport Location

1618 Marshall St., Shreveport, LA 71101

Tel: 318-200 0710

Albuquerque Location

4214B Hawkins St. NE, Albuquerque, NM 87109

Tel: 505-633 4203

Tucson Location

1430 N. Oracle Road, Tucson, AZ 85705

Tel: 520-333 6002